



CIN: U74200TN2019PTC129982
GSTIN: 33AABCZ3842K1Z6

PAN: AABCZ3842K
TAN: CHEP20821D

Date: 8.10.2022

To
The Principal
Indra Ganesan College of Engineering
Trichy 620012

Respected Sir/Madam,

Having received the institutional Consultancy brochure, we are interested in investigating the feasibility of Supplying SMART AUTOMATIC CONTROL LIGHTING SYSTEM in collaboration with your consultancy team. We would like to inquire about the corresponding costs involved.

Regards

Ramamurthy

3phase Engineering Solution PVT Ltd
Trichy


Dr. G. Balakrishnan, M.E., Ph.D.
Principal
Indra Ganesan College of Engineering
JG Valley, Madurai Main Road
Manikandam, Trichy-620 032.

Dr. V.S. Thangarasu M.E.,M.B.A.,Ph.D.,
PRINCIPAL



Indra Ganesan

COLLEGE OF ENGINEERING

Madurai Main Road, (NH-45B), Manikandam, Tiruchirappalli - 620012.
Approved by AICTE, New Delhi & Affiliated to Anna University, Chennai
NAAC Accredited, 2(F) Status Institution by UGC



15.10.2022

Trichy.

To

3 Phase Engineering Solutions
NO. 158, MADURAI VEERAN KOIL STREET
NEAR MORAIS PHASE-3, KOTTAPATTU, TRICHIRAPPALLI

Respect Sir/Madam,

Sub: Submission of Project consultancy work Quotation – Reg

Ref.: Your Letter Dated 8th Oct 2022.

In response to your letter regarding SMART AUTOMATIC CONTROL LIGHTING SYSTEM and following our detailed discussion, we are pleased to present the official Quotation for your Consideration & Reply.

Thanking you

Particulars	QUANTITY	Rate per unit	Total Amount
SMART AUTOMATIC CONTROL LIGHTING SYSTEM	25	1600	40000

Arunkumar

Project Investigator



Kind Regards

Dr. V.S. Thangarasu
Dr. V.S. THANGARASU, M.E., M.B.A., Ph.D.
PRINCIPAL
INDRA GANESAN COLLEGE OF ENGINEERING
MANIKANDAM
TIRUCHIRAPPALLI - 620 012

Dr. G. Balakrishnan
Dr. G. Balakrishnan, M.E., Ph.D.
Principal
Indra Ganesan College of Engineering
IG Valley, Madurai Main Road
Manikandam, Trichy-620 032.

Our Vision is to Transform Aspirants into Employable Engineering Professional and Entrepreneurs

+91 8508688845, +91 9444021802, igcprincipal@gmail.com +91 431 2906565 www.igceng.in



CIN: U74200TN2019PTC129982
GSTIN: 33AABCZ3842K1Z6

PAN: AABCZ3842K
TAN: CHEP20821D

Date: 24.10.2022

To
The Principal
Indra Ganesan College of Engineering
Trichy 620012

Respected Sir/Madam,

We have approved the institution proposal for the supply of SMART AUTOMATIC CONTROL LIGHTING SYSTEM as specified in the Quotation. We have allocated a total budget of Rs.40000. It is crucial that the completion of this project adheres to the agreed upon time frame of 90 Days.

Regards

Ramamurthy

3phase Engineering Solution PVT Ltd
Trichy


Dr. G. Benakrishnan, M.E., Ph.D.
Principal
Indra Ganesan College of Engineering
IG Valley, Madurai Main Road
Manikandam, Trichy-620 032.



Indra Ganesan College of Engineering

Madurai Main Road (NH-45B), Manikandam, Tiruchirapalli - 620 012.

Approved by AICTE, New Delhi & Affiliated to Anna University, Chennai

NAAC Accredited, 2 (F) & 12 (B) Status Institution by UGC



Department of Electrical & Electronics Engineering

Consultancy Project Work

Report

**SMART AUTOMATIC CONTROL LIGHTING
SYSTEM**

SUBMITTED TO

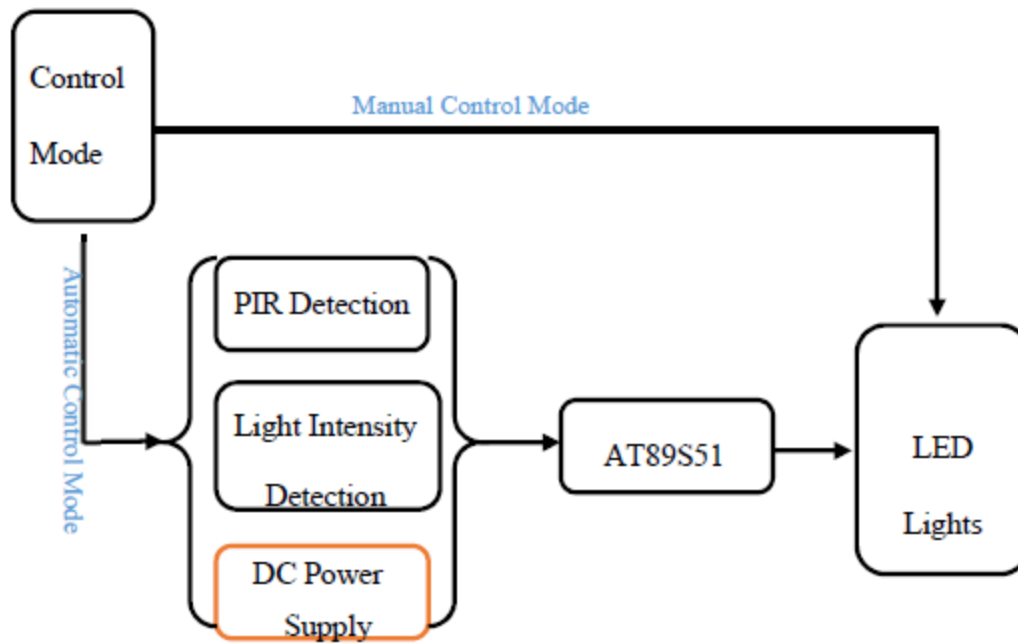
3 Phase Engineering Solutions

No. 158, Madurai Veeran Koil Street near Morais
Phase-3, Kottapattu, Tiruchirappalli

REPORTED DATE

4.11.2022

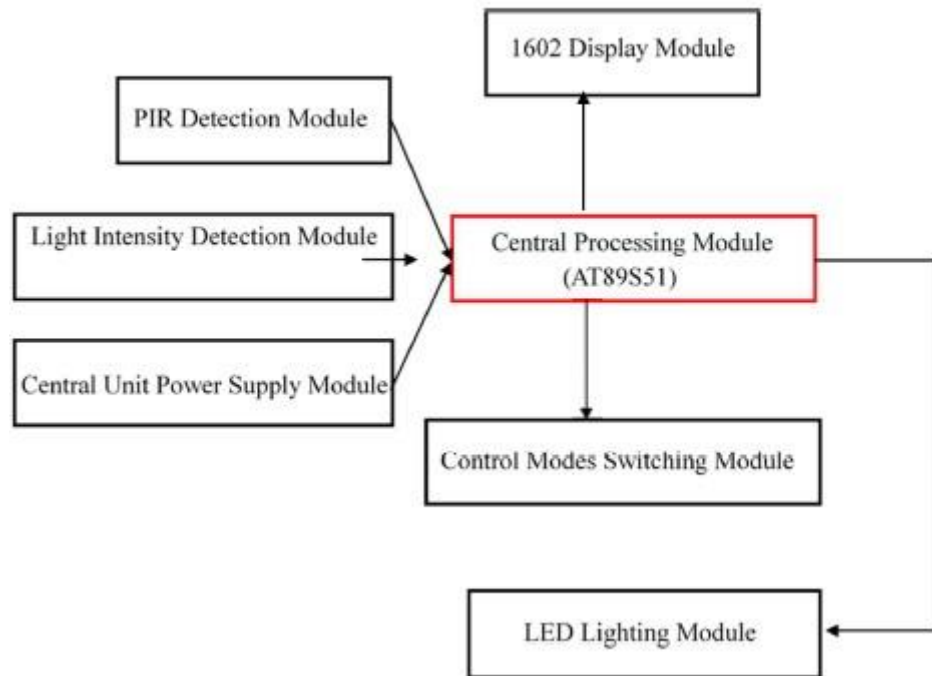

Dr. G. Balakrishnan, M.E., Ph.D.
Principal
Indra Ganesan College of Engineering
JG Valley, Madurai Main Road
Manikandam, Trichy-620 012.



This system was designed to realize the goal of cutting down the amounts of electricity usage in people’s daily life. The main enhancement deals with controlling lights that depend on current light intensity inside room and human existence for the purpose of gaining the optimal Efficiency of power saving.

Description	Cost
Arduino uno - Microcontroller	680
MLX90614	540
Step down transformer	120
Rectifier	10
16*2 LCD Display	250


 Dr. G. Balakrishnan, M.E., Ph.D.,
 Principal
 Indra Ganesan College of Engineering
 IG Valley, Madurai Main Road
 Manikandam, Trichy-620 032.



The entire system comprises seven modules on the aggregate: central processing Module, PIR detection module, light intensity module, 1602 display monitor module, LED lights module, control modes switching module and central unit power supply Module.

PROJECT INVESTIGATOR

PRINCIPAL

Dr. G. Balakrishnan, M.E., Ph.D.
Principal
Indra Ganesan College of Engineering
JG Valley, Madurai Main Road
Manikandam, Trichy-620 012.

Dr. V.S. Thangarasu M.E., M.B.A., Ph.D.,
PRINCIPAL



Indra Ganesan

COLLEGE OF ENGINEERING

Madurai Main Road, (NH-45B), Manikandam, Tiruchirappalli - 620012.
Approved by AICTE, New Delhi & Affiliated to Anna University, Chennai
NAAC Accredited, 2(F) Status Institution by UGC



4.11.2022

Trichy.

UTILIZATION CERTIFICATE

Certified that the amount of **Rs.40000** was sanctioned by 3 Phase Engineering Solutions during the academic Year (2022-2023) in Favour of Department of Electrical & Electronics Engineering, Trichy has been fully utilized for Project on SMART AUTOMATIC CONTROL LIGHTING SYSTEM. The Purpose of amount sanctioned has been Fulfilled and delivered as per condition were Satisfied.

Project Investigator



Kind Regards

(Dr. V.S. Thangarasu, M.E., M.B.A., Ph.D.)
PRINCIPAL
INDRA GANESAN COLLEGE OF ENGINEERING
MANIKANDAM
TIRUCHIRAPPALLI - 620 012

Dr. G. Balakrishnan, M.E., Ph.D.
Principal
Indra Ganesan College of Engineering
IG Valley, Madurai Main Road
Manikandam, Trichy-620 012.